



# Colorado Rain Catcher

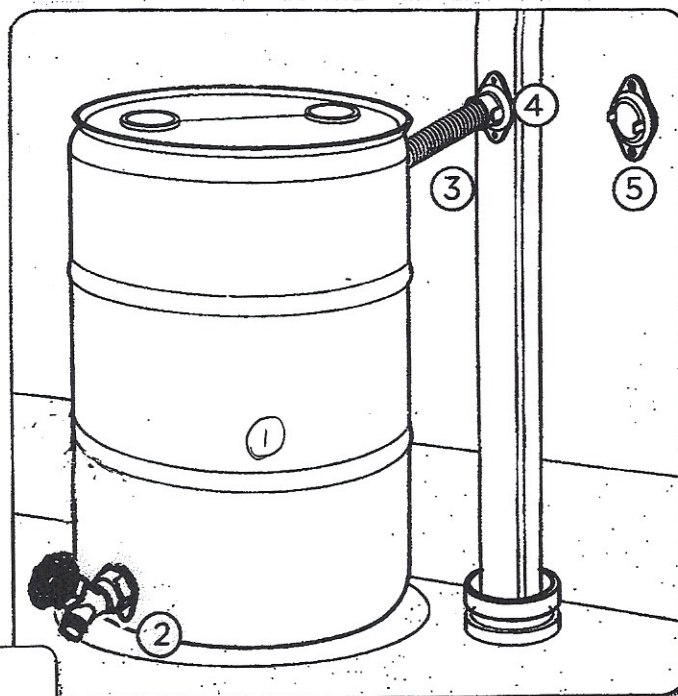
## Rain Barrel Parts Kit Installation

Rain barrels have been used for hundreds of years to harvest and store rainwater. Rainwater is perfect for all your outdoor gardens and potted plants. Your rainwater catching system helps prevent rain from becoming *polluted storm water* and puts it to a better use through drip irrigation.

Our DIY Rain Barrel kit can be used to create a simple, easy and efficient rain catching system for your yard. The flexifit diverter helps discourage mosquitoes and other pests and from entering the barrel. The diverter is easy to remove from the downspout, and the kit includes a winter hole cover.

The flexifit diverter offers many advantages over conventional top fill rain barrels that commonly flood with heavy rain, requiring permanent modifications to your downspout and the use of unsightly overflow hoses. With the flexifit diverter, once the barrel is full, the water flows back into the diverter and will automatically pass excess water through the downspout.

1. Barrel
2. Drain or hose attachment
3. Fill hose
4. FlexiFit diverter
5. Winter hole cover



### WARNING

Stored rainwater is not for human or animal consumption

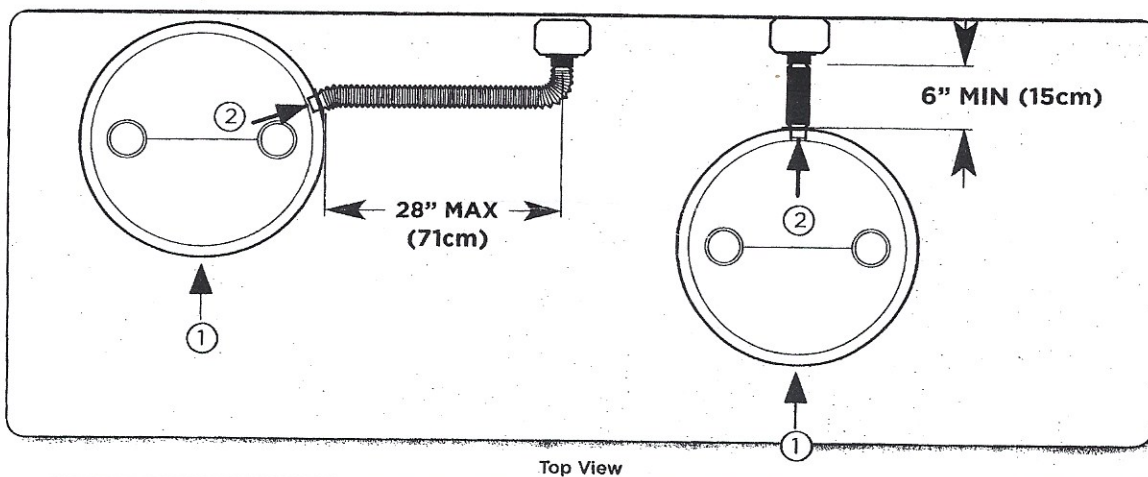
Sealed Barrel



## Selecting a location for your Rain Barrel

Before assembling the parts to your rain barrel, you must select and prepare the location where the barrel will be used. This will help you locate the fittings on the barrel in the most convenient and efficient location.

- Choose a downspout that has maximum flow from your roof and preferable in a shady spot; to help minimize Alge buildup. If you plan on using a watering can to water your gardens, it doesn't really matter if its right next to the garden. If you are planning on using a drip hose then you want your rain barrel close to your garden.
- It must be within 28" of your rectangular downspout to use the fill hose provided.
- The ground under your barrel **MUST** be level and firm. A full 55 gallon Rain Barrel will weigh over 400 lbs. If the surface is not level, use a shovel or rake to grade the surface. We recommend a base of wood, stone, cinder blocks or pavers to create a platform 12" - 18" high for your barrel to sit on. Remember that the higher the platform, the stronger the gravity. Place the barrel in the intended location with your chosen front facing out.
- Mark the front of the barrel. This will be the side with the spigot facing out.
- Hold the fill hose in place between the barrel and the downspout and mark the water inlet location approximately 3" from the top of the barrel, on the closest location to your downspout. Double check that your hose can reach horizontally from the barrel to your downspout before you cut the hole.

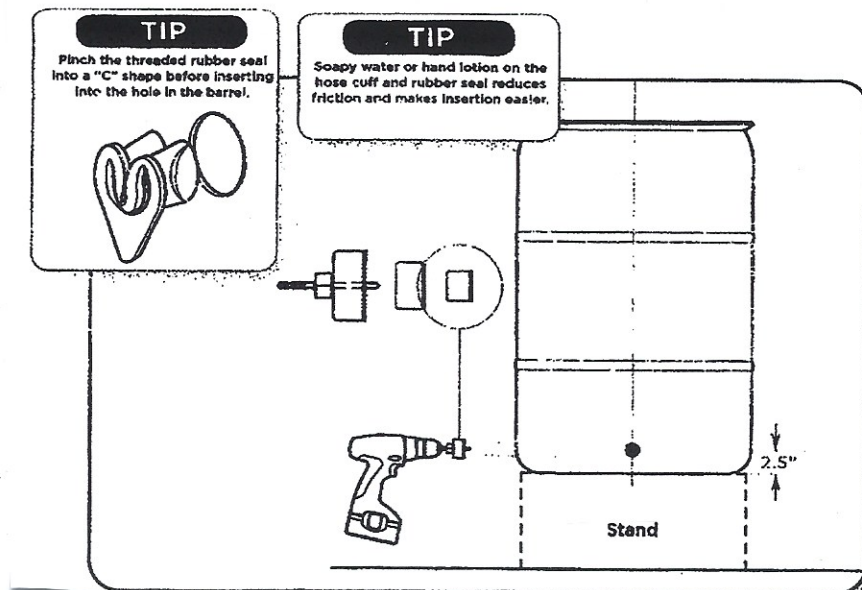




## Installing the front fitting on the barrel

A single brass spigot at the bottom of the barrel can be used with a soaker hose as well as a watering can. We recommend a 12-18" platform for the most efficient gravity flow.

- Choose the front of your barrel, measure up 2.5" from the bottom of the barrel and mark the center for the spigot hole. Drill a hole using the 1 1/4" hole saw.
- Insert the threaded rubber seal into the hole. (pinch the seal into a U shape for easier insertion and liquid soap or lotion will reduce friction)
- Thread the spigot into the seal until the hex collar on the spigot sit firmly against the seal and the water outlet points down. (liquid soap or lotion will reduce friction and improve fit)





## About the FlexiFit diverter

**Do not cut the hole in the downspout until you read the entire guide!**

The flexifit diverter redirects water from your downspout to the barrel and automatically returns the water back to the downspout when the barrel is full of rainwater.

The diverter is installed in a hole that is cut in the downspout.

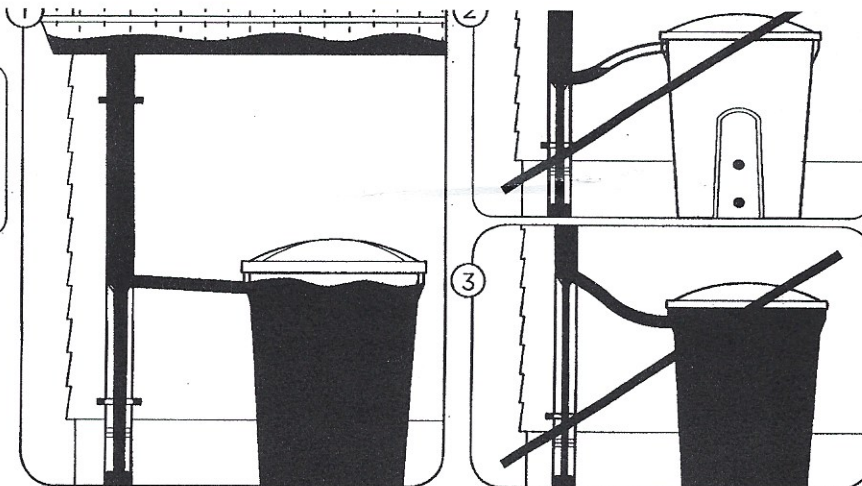
- the hole must be cut at the correct height for the diverter to work properly.
- If the diverter is installed too low, the barrel will not fill properly.
- If the diverter is installed too high, water will not be able to get back to the diverter so it can drain out.

**IMPORTANT:** There are two ways to install the diverter depending on the type of barrel you use. If the barrel is a sealed container without a lid or a screen, the diverter can be located at the same level as the rim of the barrel or a little higher. This will improve the filling efficiency of the diverter.

If the barrel has a removable lid or screen, the center of the diverter hole must be drilled 3" below the level of the rim of the barrel to prevent water from leaking from the lid seam or screen. The diverter will not work if it is placed below the level of the water inlet on the barrel.

### **WARNING**

Damage to home or property may occur if improperly installed.



**CORRECT**

### **INCORRECT**

If the hole is cut too low, the barrel will not fill.

### **INCORRECT**

For open top containers only, if the hole is cut too high, water will overflow from the barrel rim.



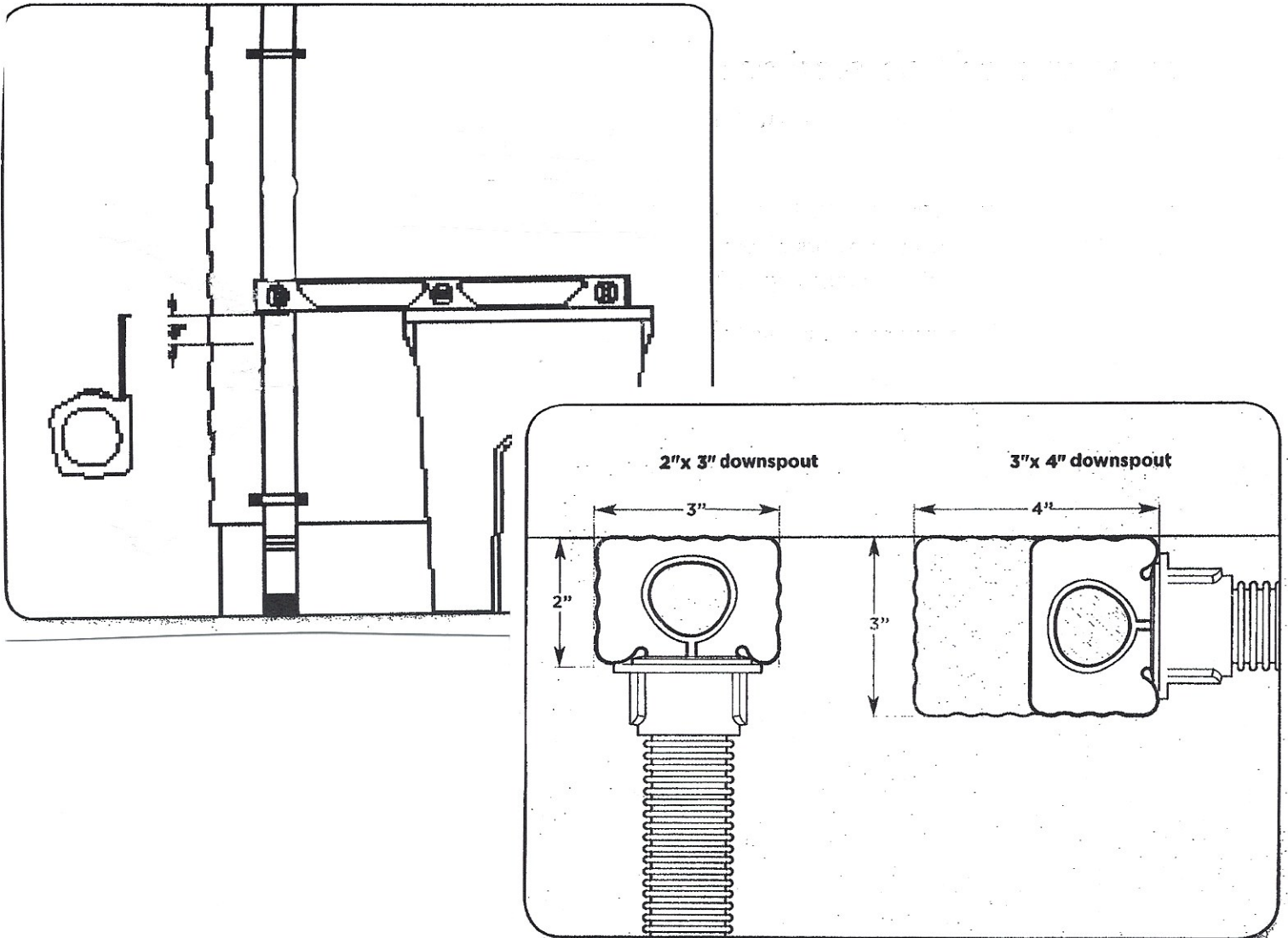
## Marking the FlexiFit diverter hole on the downspout

Do no cut the hole in the downspout until you have read the entire guide

- First, place your barrel on the base you have created. (Either a pre-made barrel stand or cinder blocks and pavers or whatever else you have found to create a level, sturdy base. (We recommend that is 12"-18" off the ground for optimum gravity flow)
- Make a reference mark on the downspout that is level with the top of the barrel.
- Measure and mark the CENTER of the downspout.

These instructions are for a 2"x3" rectangular downspout. If you have a 3"x4" rectangular downspout, you must mark on the narrow 3" side of the downspout (not the front) for the diverter to work properly.

Note: water capture percentage is reduced with a 3"x4" downspout.

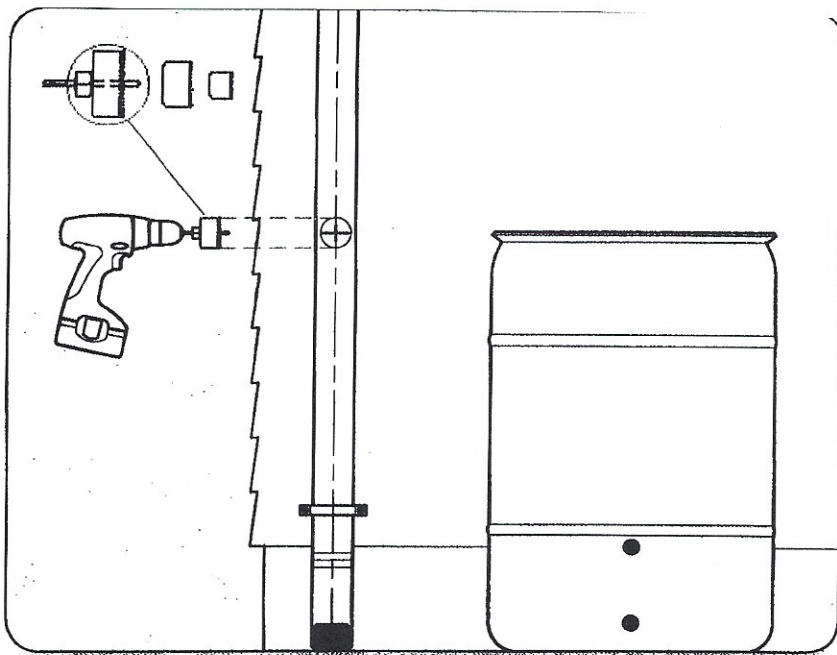




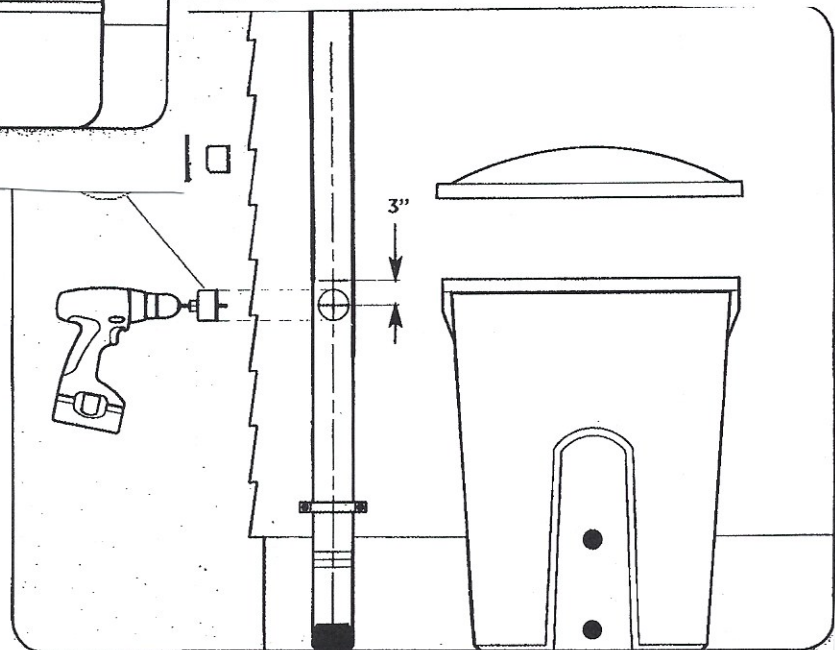
## Drilling the FlexiFit diverter hole in the downspout

Drill a hole in the downspout using a  $2\frac{1}{8}$ " hole saw. The center of the bit of the hole saw should align with the center mark on the downspout. Placing a piece of cardboard behind the downspout, next to the house, helps with vibration.

- Do not force the hole saw. Cut slow and steady keeping a firm hold on the drill.
- The cut edges of the downspout can be very sharp! Always wear safety glasses and gloves when cutting or drilling.
- For larger 3"x4" downspouts make sure you drill the hole on the narrow side (not the front)



Sealed Barrel Only

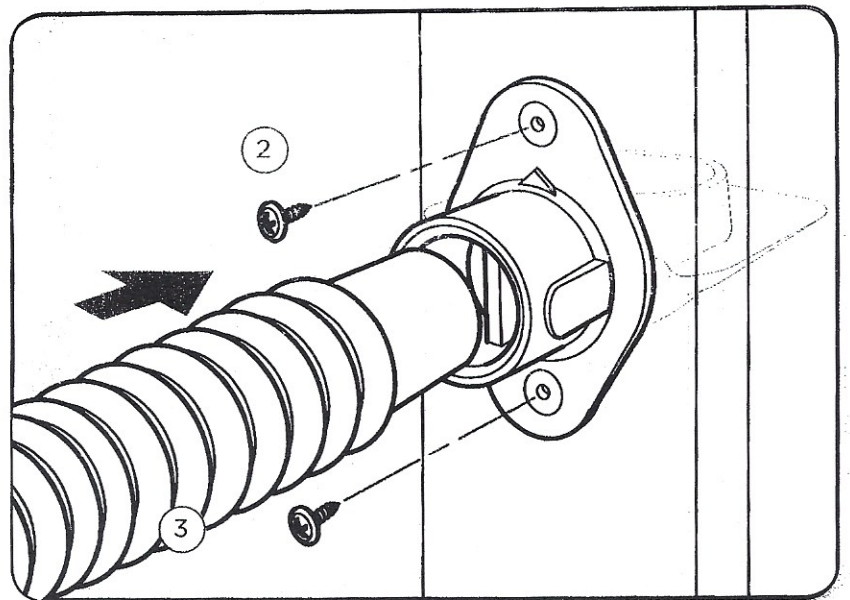
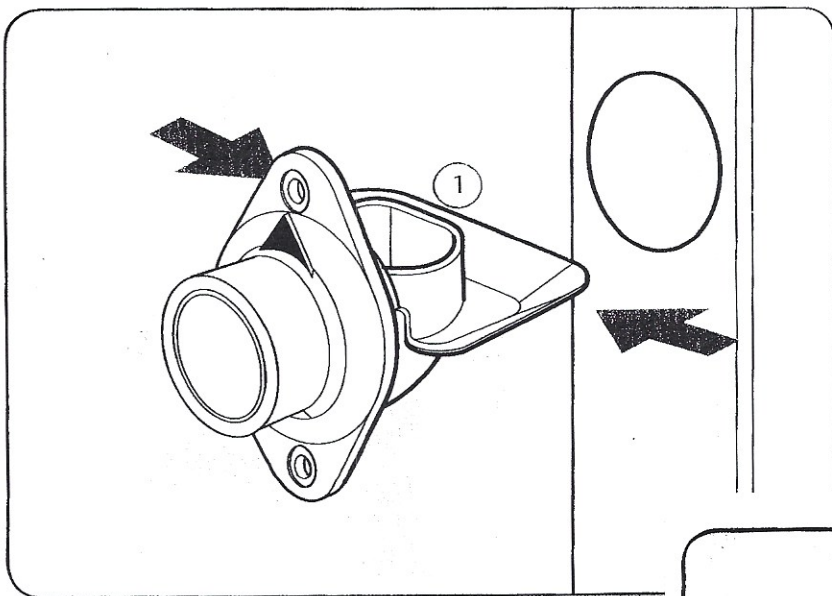


Open Top Container



## Installing the FlexiFit diverter

- Insert the diverter into the hole in the downspout by squeezing the sides into a U shape and pushing the diverter into the downspout until the flange sits flat against the downspout. Do not twist the diverter when installing - push it straight in - with the collection cup facing up at all times to insure a proper seal. Make sure that the arrow on the front of the diverter is pointing straight up.
- Use two self tapping screws to attach the diverter to the downspout.
- Connect the fill hose to the cuff end of the diverter. Press the hose into the diverter until the corrugated section is flush against the the diverter. (liquid soap or lotion reduces friction and improves fit)

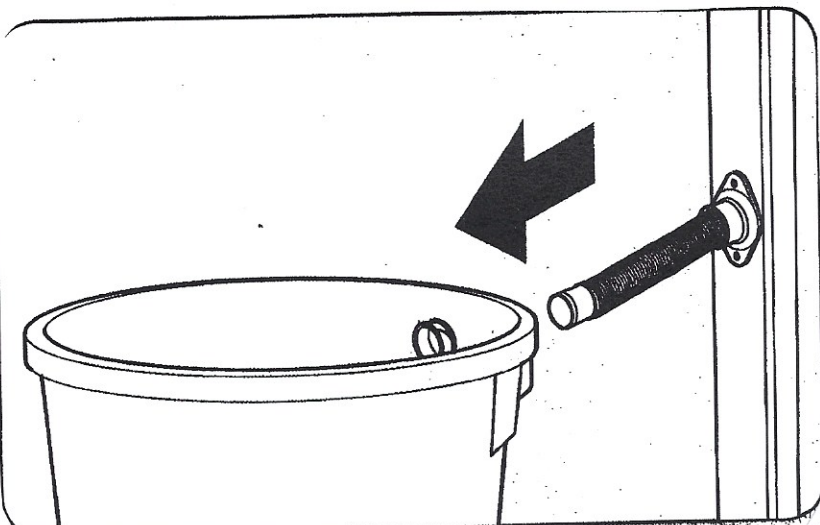




## Connecting the barrel

- Extend the hose to the desired length, up to 28". The hose is flexible and can be bent to form elbows, although it's best to keep a gradual curve in the hose.
- Connect the other end of the fill hose to the fill hose seal on the rain barrel.
- Place the "Do Not Drink" sticker above the spigot and start saving water today!

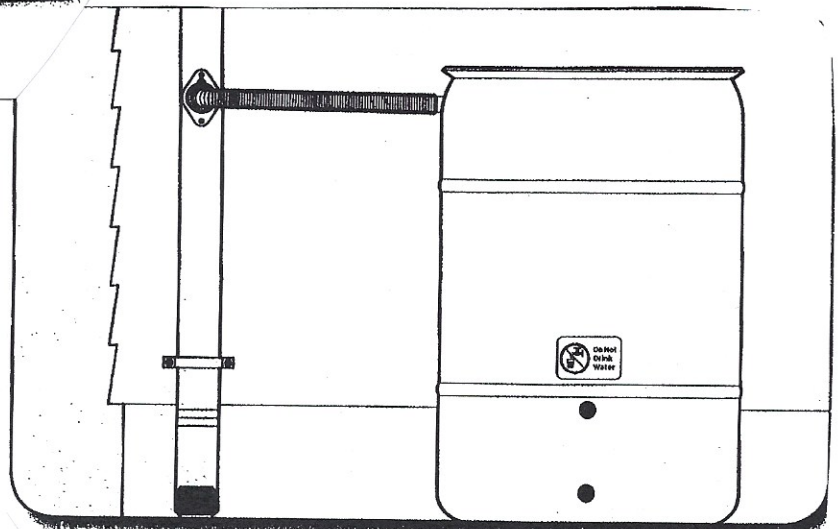
If using an open top barrel with a lid, make sure that lid is secure and latched. Do not leave the lid off for extended periods of time as the barrel may bow from the weight of the water and make fitting the lid difficult.



Attach fill hose to barrel

### TIP

Soapy water or hand lotion on the hose cuff and rubber seal reduces friction and makes insertion easier.



Add warning sticker, installation is complete!



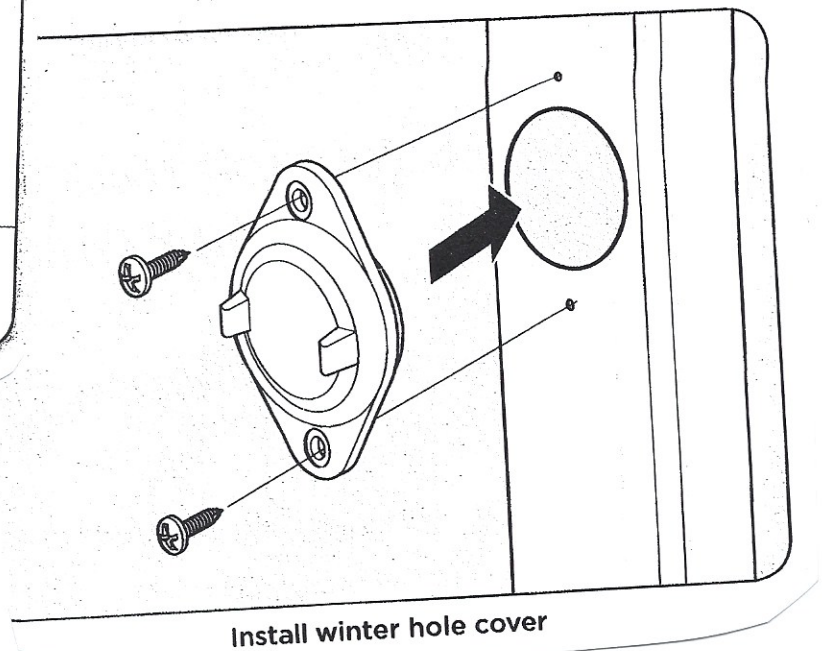
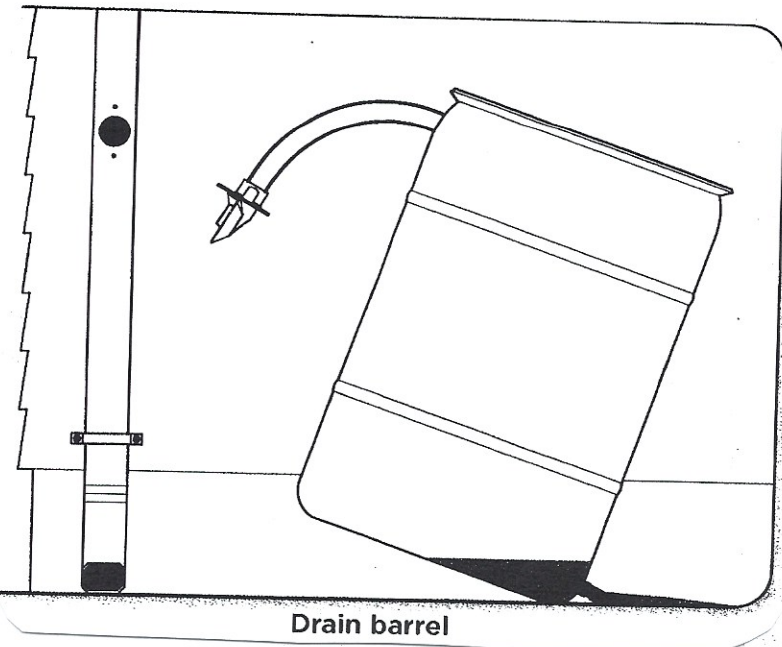


## Winterizing your barrel

A rain barrel can be damaged if water is allowed to freeze in the barrel. You **MUST** empty your barrel as winter approaches. We recommend emptying your barrel after the first hard freeze. (Usually late October, early November)

### To Winterize:

- Remove the diverter by removing the 2 screws and then pulling it out in an upwards motion. (Cut edges of downspout can be VERY sharp. Wear gloves.)
- Completely drain the barrel making sure that water is being drained away from the foundation of the house.
- Cover the hole in the downspout with the winter hole cover and secure it with the 2 screws.
- Store the rain barrel upside down; preferably in a garage or shed or covered with a tarp.

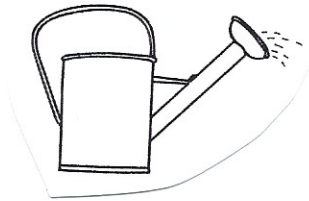




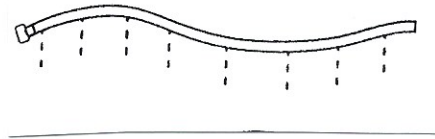
## Using your Rain Barrel

There are several way to access and distribute the rainwater in the barrel. Use your stored water as often as you can to prevent algie buildup and to make room for new rainwater.

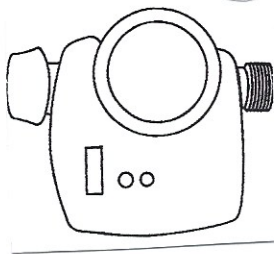
A watering can or Bucket can be filled by using the spigot.



A rain barrel soaker hose can be connected to the spigot or the bottom.



A Garden Hose Timer can be fitted between the bottom drain and soaker hose to automatically dispense water at regular intervals. (Be sure timer is set for low pressure applications).



**WARNING**

Lid must be secured at all times to prevent injury to children.

**WARNING**

The barrel must be installed on a solid and level base.

**Tips****WARNING**

Stored rainwater is not for human or animal consumption.

Before installing your rain barrel each spring, be sure to clean your gutters of any and all leaves and debris. Also, to prevent leaves and debris from draining into the downspout and clogging it, either insert a piece of steel wool snugly into the top of the drain spout or cut a piece of screen and glue it to the top of the drain spout with Silicone.

## Troubleshooting

If your rain barrel does not fill with water after a rainfall:

- Remove the diverter and check for leaf blockage (this shouldn't happen if you put some sort of screen at the top of the downspout).
- Make sure the diverter is installed with the collection cup (arrow) facing up.
- Make sure no point of the fill hose is above the level of the diverter.
- Check to make sure the diverter is installed at the correct height. It must be 1" above the water inlet on the barrel to fill properly. **To correct: drain the barrel and lower your base until the water inlet on barrel is 1" below the level of the diverter.**
- Check spigot and drain to be sure that no water is leaking. (even a slow leak will drain the barrel over time)

If your rain barrel overflows and water leaks out from the lid:

- The barrel is too low. **To correct: drain the barrel and raise your base to 1" below the level of the diverter.**

You will need a drill and 3 hole saw sizes to complete your DIY rain barrel:

The hole saw sizes you need are:

- 1 1/4" for installing the spigot and drain hole.
- 1 1/2" for installing the water inlet (hose) fitting.
- 2 1/8" for installing the diverter into the downspout.



## Linking Barrels - additional parts needed (2 hose seals and 1 3' Fill hose)

You can link 2, or 3, or 4, etc. barrels together to increase your water storage capacity:

Example: Link barrels #1 and #2 rim to rim.

To do this: Add an additional hose seal on the other side of the barrel #1, using the 1-1/2" hole saw. Then drill a hole in the same location on barrel #2. Connect a 3' Fill hose between both barrels.

The barrel connected to the downspout will fill first, then the overflow into the second barrel. If both barrels fill up, the overflow water will drain back into the downspout and down to the ground.

If you want to link additional barrels together, just repeat above instructions.

Call us for additional parts or questions.

